

LIFT BBV



103.75

CEDAS is specialized in solutions to **overcome the architectural barriers** especially in transportation and to this purpose it offers a range of products which becomes wider and wider.

All **CEDAS** products are good solutions for the **adaptation of special vehicles** like ambulances, vehicles for disabled people, buses, taxis and commercial vans both for private or public usage.

All these devices enable the safe access and transportation in a comfortable way.



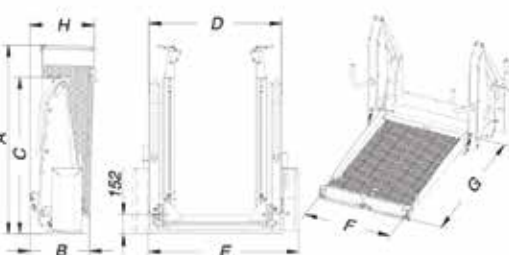
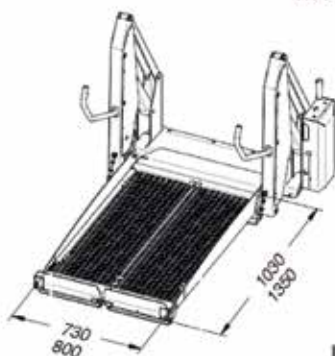
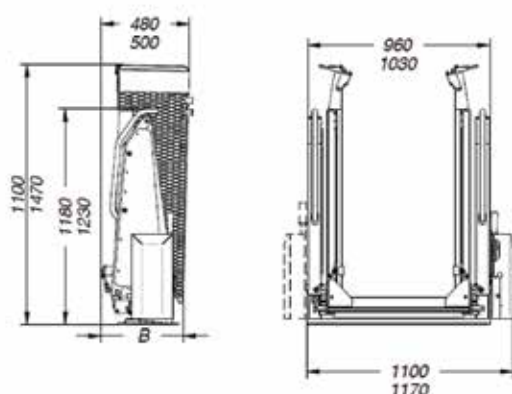
CEDAS products are all **CE** marked and are compliant with the applicable European Community directives. They are also compliant with the electromagnetic compatibility rules. Each of them is delivered to the customer with the necessary paperwork required by the **Quality System ISO 9001:2008** and **Certification for medical device ISO 13485:2012**.

TECHNICAL FEATURES

MAXIMUM CAPACITY	320 Kg
WEIGHT	110 Kg
POWER	12 V_24 V
MAX PRESSURE	140 bar
LIFTING HEIGHT	920 mm
SPEED UP (FULL CHARGE)	5 M/MIN
SPEED DOWN (FULL CHARGE)	4 M/MIN

SAFETY DEVICES

- Switch to detach battery with key.
- Manual operation in case of emergency.
- Automatic safety ramp to stop the wheelchair.
- Roll-over control device with pressure switch.
- Anti-slip platform.



VEHICLES:

Citroen Jumper, Fiat Scudo, Fiat Ducato, Ford Transit, Iveco Daily, Mercedes Sprinter Kombi, Opel Movano, Peugeot Expert Tepee, Renault Trafic, Renault Master, Volkswagen Caravelle - Multiva

PLATFORM DIMENSIONS

LIFT BBV	A	B	C	D	E	F	G
BBV 103.75	1100	425	1180	960	1100	730	1030
BBV 135.80	1470	460	1230	1030	1170	800	1350



CEDAS ELEVATORS & FABRICATION LLC

P.O. Box: 8190

Ajman, U.A.E.

Tel.: +971 6 743 7667

Fax: +971 6 748 4131

sales@cedas-uae.com

www.cedas-uae.com