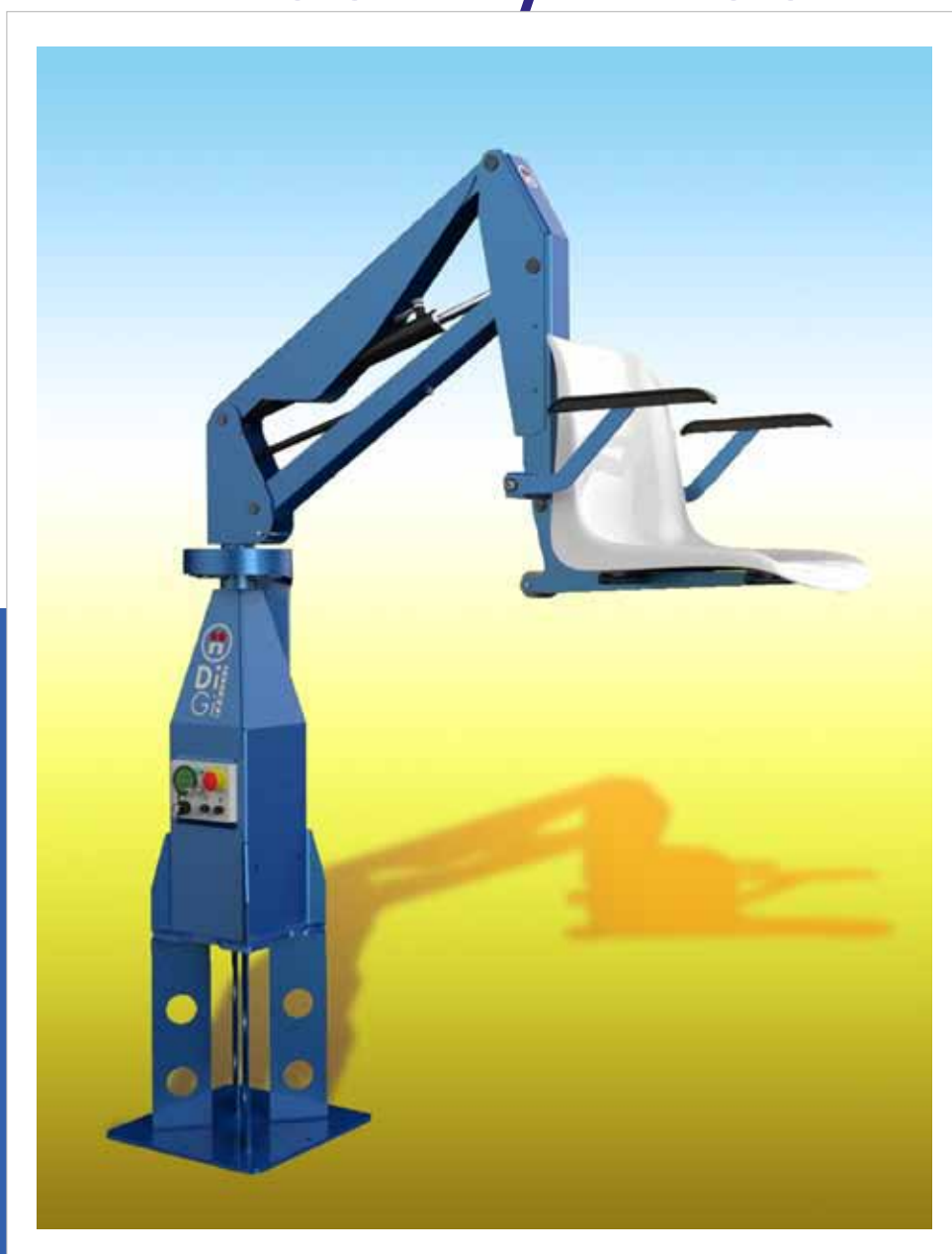
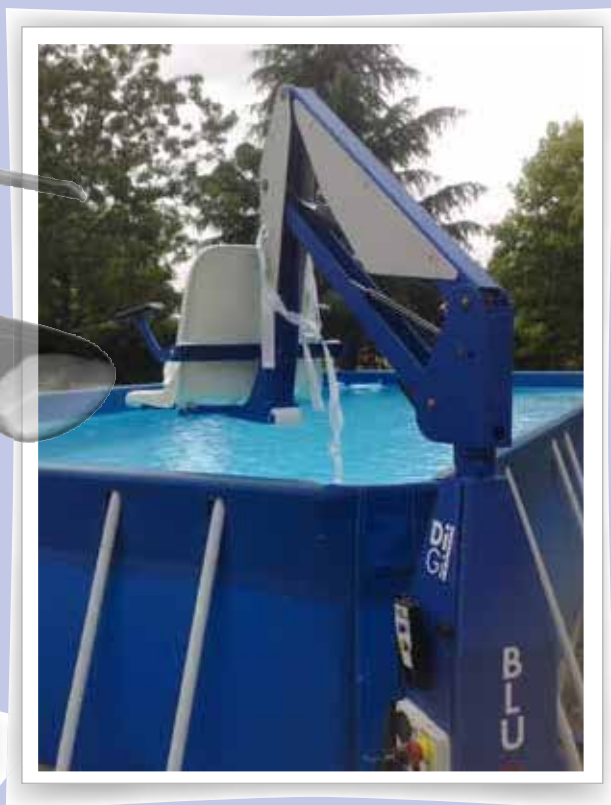


F 100 M / F 100



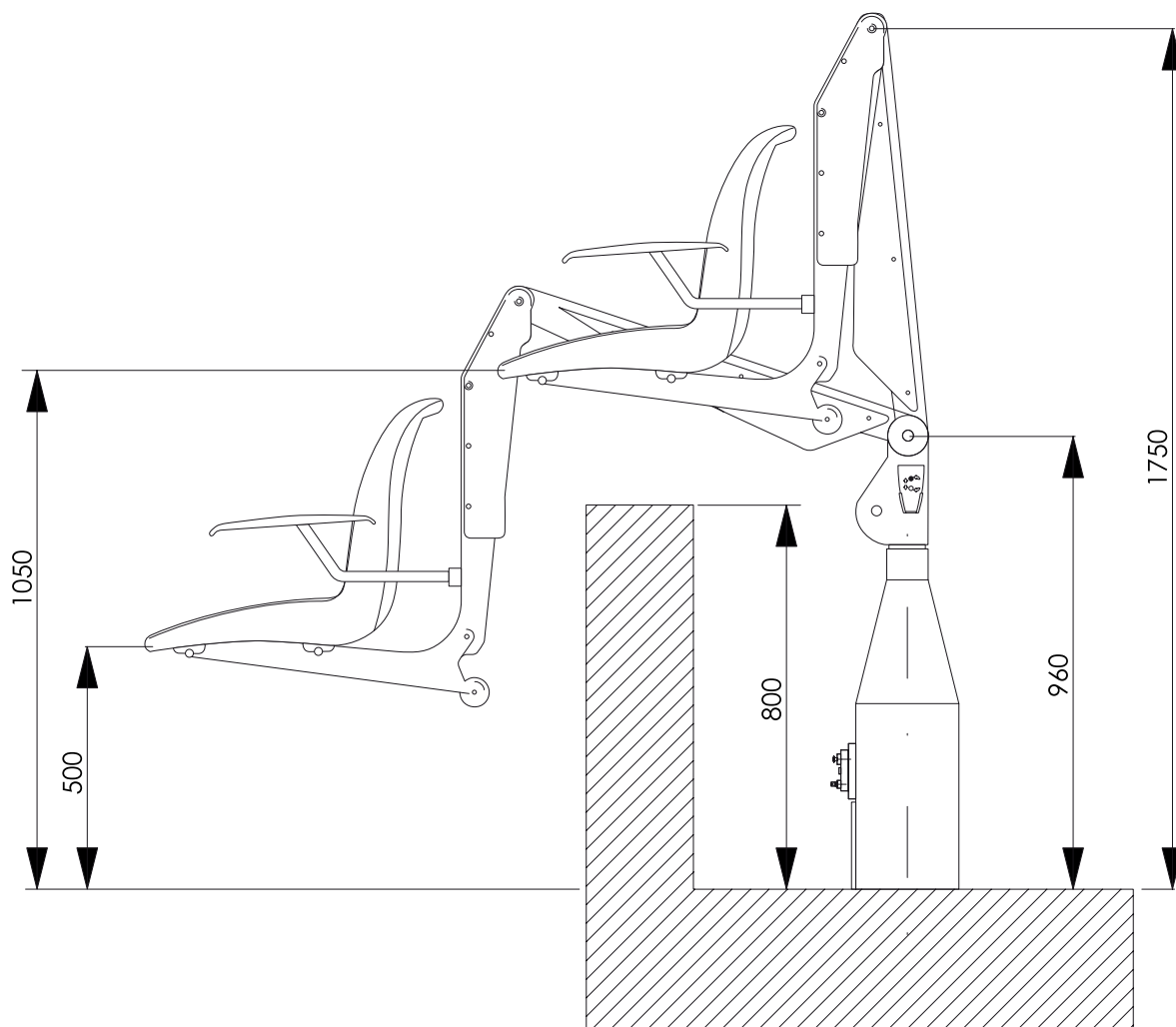
Fixed Pool Lift F 100 M / F100

The F100 M / F100 poolside hoist is to be used at walled pools either in plastic or wood. It enables the disabled person to get into the water in a safe and smooth way. It is recommended for outdoor pools. The anchorage is always to be made to a concrete block of 60x60x60 cm by means of 8 pins.



Fixed Pool Lift F 100 M / F100

Measurements



Features/Materials/Equipment

Lifting capacity	140 kg
max. travel (without support)+1150 mm -250 mm	
Time of down-lifting with weight	23 sec
Time of up-lifting with weight	17 sec
Total weight	100 kg
Battery	24 V
Power	12 V
Electrohydraulic box	
External battery charger	
Rotation	350°
Structure in steel: zinc coated and powder finished	
REMOTE CONTROL	



CEDAS ELEVATORS & FABRICATION LLC

P.O. Box: 8190,

Ajman, U.A.E.

Tel.: +971 6 743 7667

Fax: +971 6 748 4131

sales@cedas-uae.com

www.cedas-uae.com