



CEDAS FIXED POOL LIFT 130



CEDAS ELEVATORS AND FABRICATION LLC

CEDAS Fixed Pool Lifts

The F130 poolside lift is to be fixed to main walls and it is suitable for narrow spaces thanks to its “flag” structure avoiding floor fixing. It is recommended for walled pools, therapy pools etc. The hoist can be equipped with a seat + transporter or a sling.

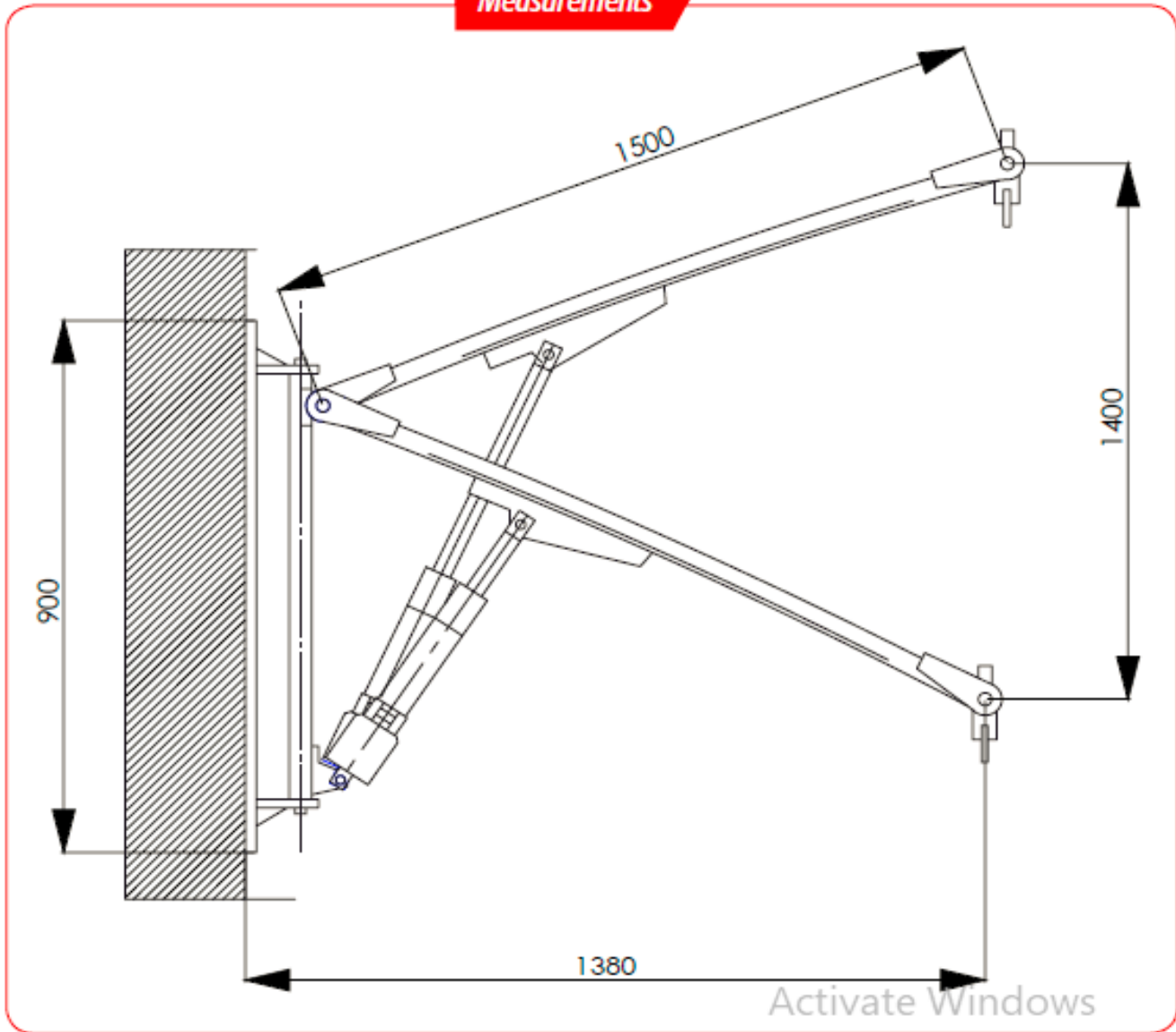
The anchorage is to be made to a min 25 cm thick main wall in bricks or concrete by means of its mounting plate and counter plate to be fixed by pins.

FEATURES/MATERIALS/EQUIPMENTS

Maximum capacity	140 KG
Max. arm travel (without support)	1400 MM
Time of Down-lifting with weight	40 Sec
Time of Up-lifting with weight	40 Sec
Total weight	50 kg
Battery	24 VDC
Power	12 VDC
Electric box External battery charger	YES
Rotation	160°
Wall fixing plate	90 X 20 CMS
Steel structure	zinc coated and powder finished
REMOTES	YES
Warranty	12 months

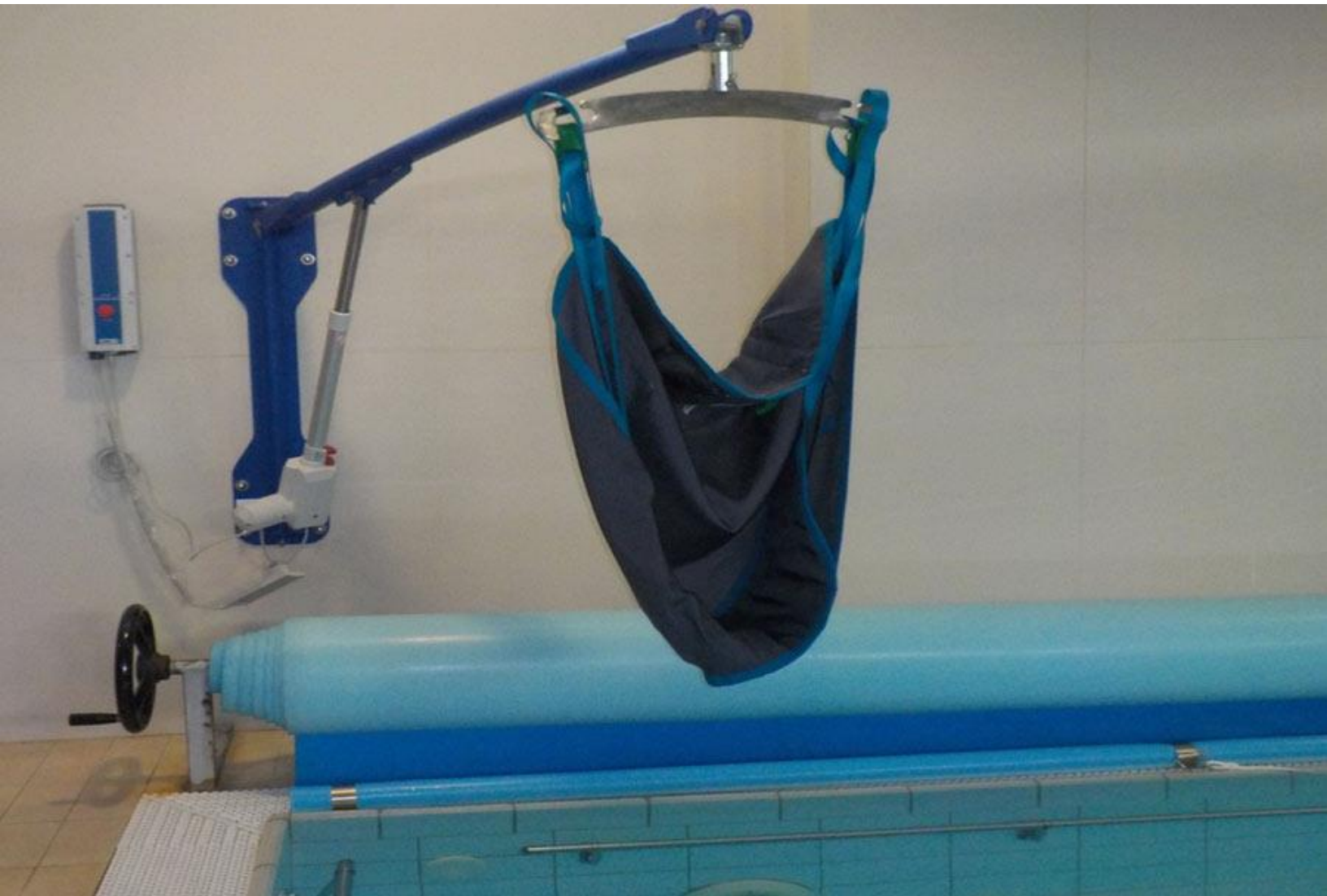


Measurements



Certifications and Compliance

- Directive 93/42/CEE - Medical Device - DM 321258/R
- Directive 2006/42/CE - Machine Directive
- Directive 2004/108/EC - EMC Electromagnetic Compatibility



CEDAS ELEVATORS AND FABRICATION LLC

P.O. Box no. 8190, new industrial Area

Ajman, United Arab Emirates

Tel: 06 743 7667

Fax: 06 748 3141

info@cedas-uae.com, www.cedas-uae.com