

BLUONE

PORTABLE POOL LIFTS



Certifications and Patent

- Patent No. 1835878
- Directive 93/42/CEE - Medical Device - DM 351258/R
- Directive 2006/42/CE - Machine Directive
- Directive 2004/108/EC - EMC Electromagnetic Compatibility



Portable pool lift for people with disabilities

BluOne is a device that can transfer people to and from pools, dressing rooms and other places in an easy, smooth and safe manner. BluOne is easy to use. The person simply sits on the seat at the front and is pushed to the edge of the pool. Simply operate the brake and lock in position, press the down button and the swimmer is lowered into the pool. It is sufficient to press the up button to lift the seat again and bring it back to the original position.

Innovative features of Portable pool lift

This pool lift has been developed by our skilful engineers after years of experience in providing solutions for people with disabilities. Although designed for wheelchair users, this hoist can assist anyone who struggles to get in and out of a swimming pool. Our company aims to give a real help to those inner needs that are frustrated by everyday difficulties by making a free life whenever you are.



Technical Devices



- 1** Key starter and emergency stop red button



- 2** Handbrake: The Up and Down controls will not operate unless the handbrake is set.



- 3** The lift is equipped with an emergency manual pump. Use it in case of electrical power failure.



- 4** Rubber stoppers between front and rear wheels to prevent the lift from falling into the water.



- 5** As the arm lowers, two steel rubber capped supports provide additional stability.

- 6** Emergency manual pump.

- 7** Automatic rubber capped supports.

Accessories



- Headrest**
To be fitted to the lifting arm, at the back of the seat.



- Harness**
5 point harness with pelvic fastening for serious disabilities.



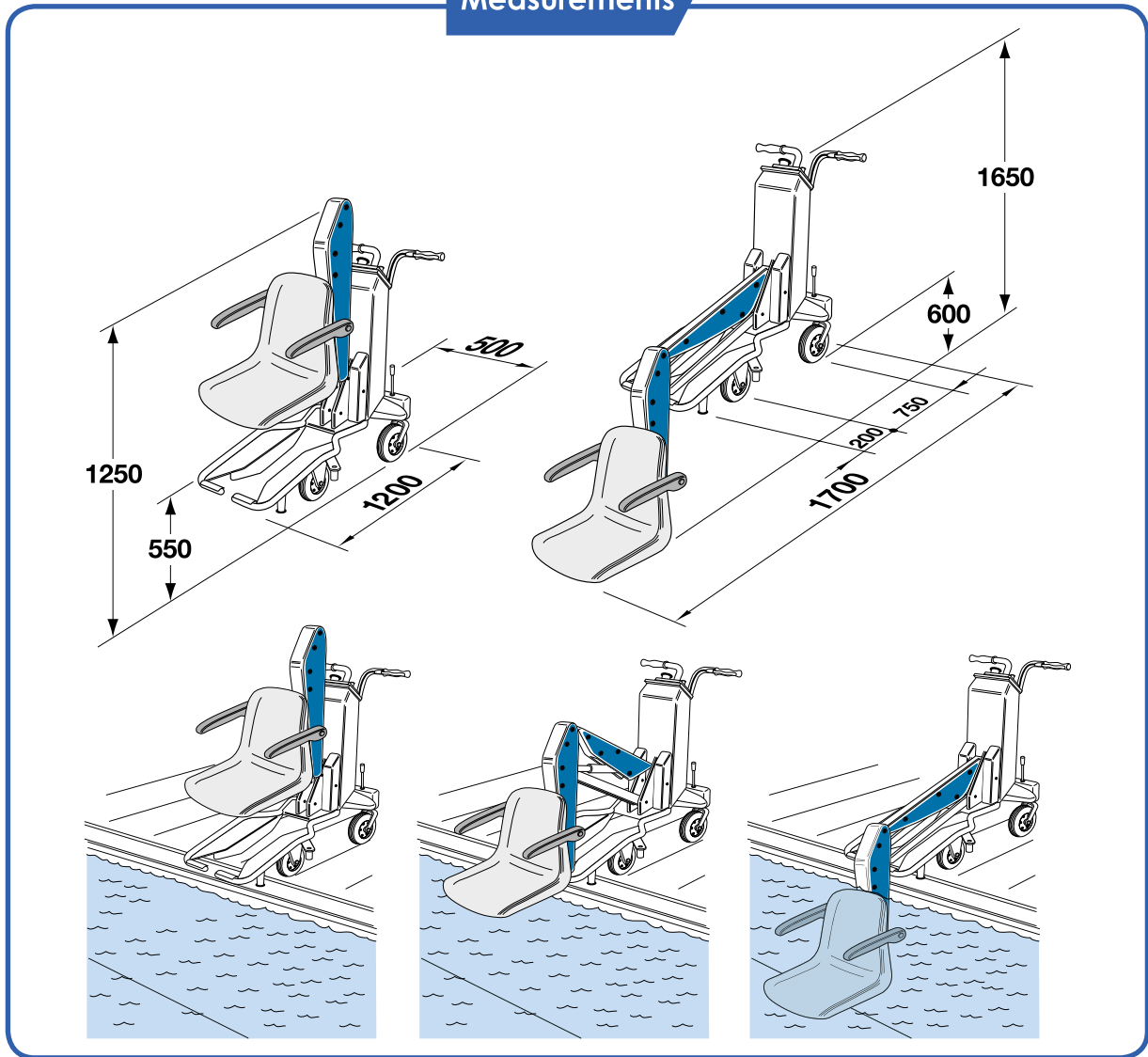
- Cover**
to protect BluOne from atmospheric agents.



- Ramp**
to sketch according to the pool edge.

BLUONE: MOBILE POOL LIFT

Measurements



CEDAS ELEVATORS & FABRICATION LLC

P.O. Box: 8190

Ajman, U.A.E.

Tel.: +971 6 743 7667

Fax: +971 6 748 4131

sales@cedas-uae.com

www.cedas-uae.com